



Using SECO Tribrach Adjusters

Tribrach Circular Vial Adjustment

Using Tribrach Adjuster #2002

STEPS

1 Place the tribrach onto the tripod and fasten.

2 Place the #2002 in the tribrach and level it using the vial on the #2002. Ignore the circular vial on the tribrach.

STEP A • To level the #2002, point one end of it to any leveling screw and use that screw to bring the vial to center.

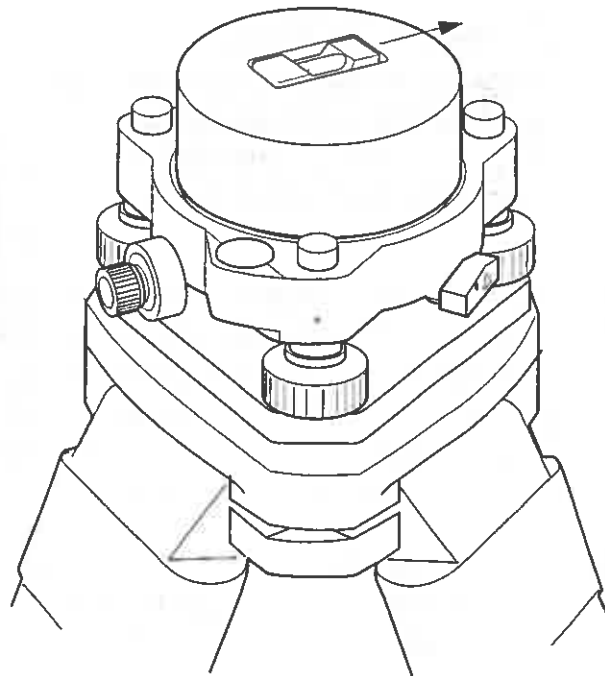
STEP B • Turn the #2002 90 degrees so that each end of the vial is as close as possible to the other two leveling screws. Using these two leveling screws, center the vial.

STEP C • Turn the vial 90 degrees back to the original leveling screw and level again if necessary.

STEP D • Repeat steps A, B, & C until the vial remains centered at both positions.

3 To test the adjustment of the #2002 vial at any centered position, rotate the vial 180 degrees. The vial should stay centered within one graduation. If not, take half the error back to the center with the vial mounting screw that is on the high side.

4 Once the #2002 is level, use the adjusting screws to adjust the tribrach circular vial to center as needed.





Using SECO Tribrach Adjusters Optical Plummet Adjustment Using Tribrach Adjusting Cylinder #2001 or Tribrach Adjuster #2002

STEPS

EQUIPMENT NEEDED:

Tribrach Adjusting Cylinder #2001
or Tribrach Adjuster #2002
Tripod or Instrument Stand
Two Tribrachs and a Target

- 1** Place the tribrach onto the tripod. Place the adjuster in the tribrach. Place the tribrach to be adjusted on top of the adjuster so that it is upside down looking at target on the ceiling. The distance between the tribrach and target should be between 4 and 5 feet.
- 2** Using the leveling screws of the bottom tribrach, adjust the crosshair of the tribrach being tested to coincide with the target.
- 3** Rotate the tribrach being tested 180 degrees on the adjuster. Crosshairs will stay on the target of a properly adjusted tribrach.
- 4** After the 180 degree turn, if the crosshair does not stay on target, half the error should be corrected with the adjusting screws provided by the manufacturer of the tribrach. The remaining error should be corrected with the leveling screws of the bottom tribrach.
- 5** Repeat steps 2 & 4 until the crosshair stays on target at all positions.

